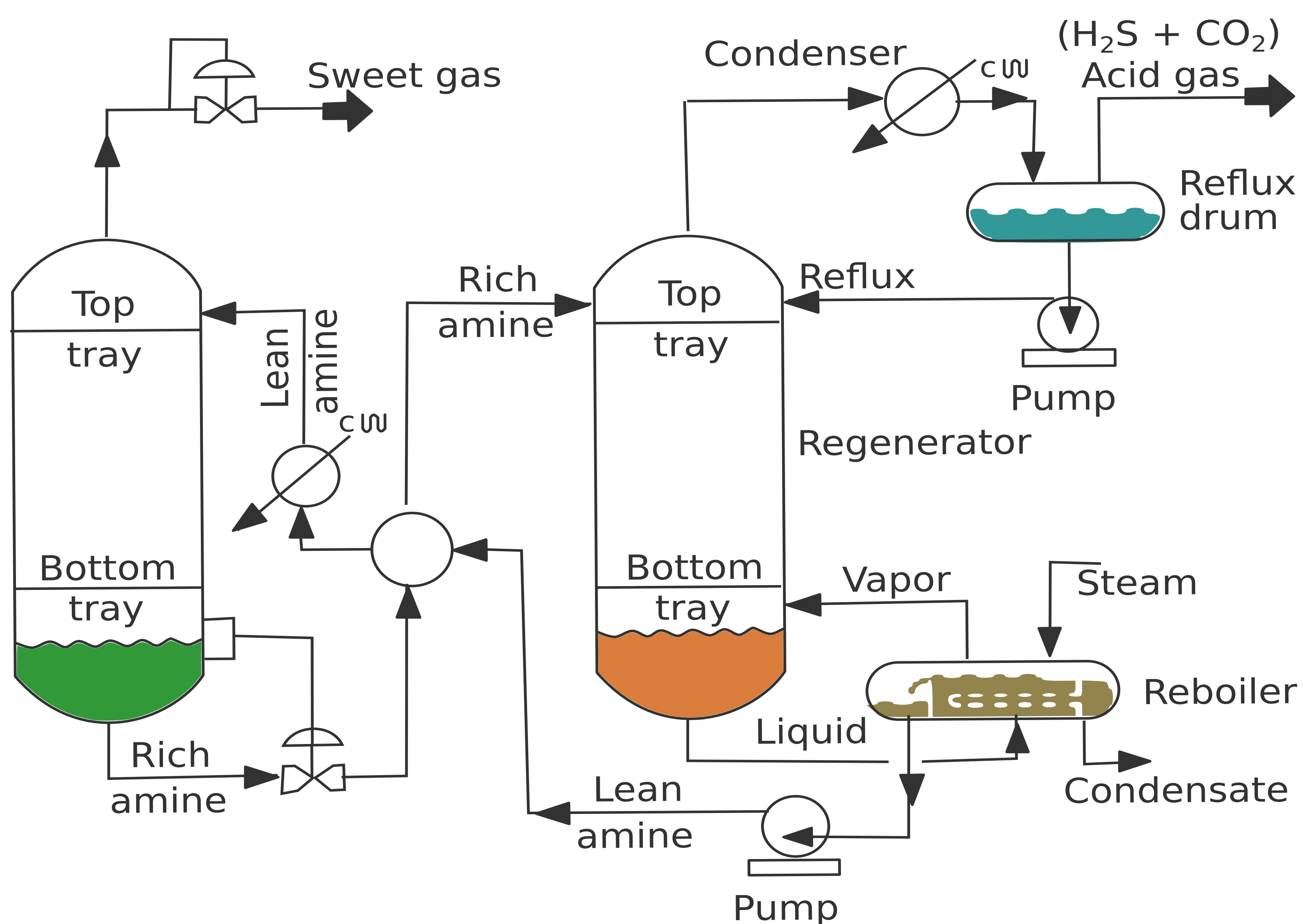


DWSIM

An open source alternative to commercial chemical process simulators



dwsim.fossee.in



Features

- ❖ Extendable thermodynamics and other property packages
- ❖ Built-in tools like Compound Creator, Petroleum Assay Manager
- ❖ Support utilities like Phase Envelope, Natural Gas Hydrates, Pure Component Properties, etc.
- ❖ Excellent optimization features like Sensitivity Analysis, Multivariable Optimizer and more

Flowsheeting Project

- ❖ Flowsheets from different sources created using DWSIM
- ❖ Available for free download
- ❖ Use for academic, research & industrial purpose

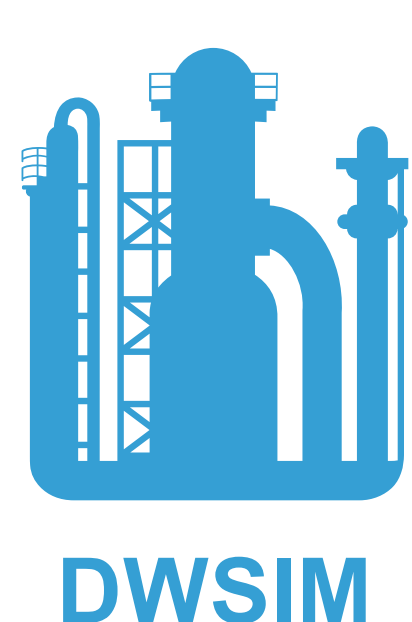
Completed Flowsheets

40+

In Progress Flowsheets

50+

Contact us:
contact-dwsim@fossee.in



DWSIM



fossee.in



IIT BOMBAY

MHRD
Govt. of India